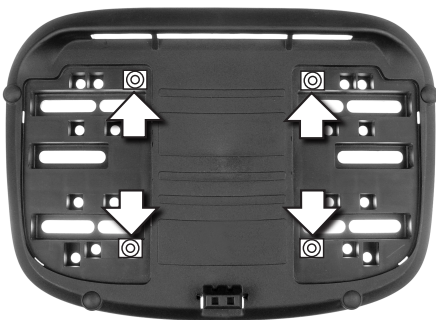


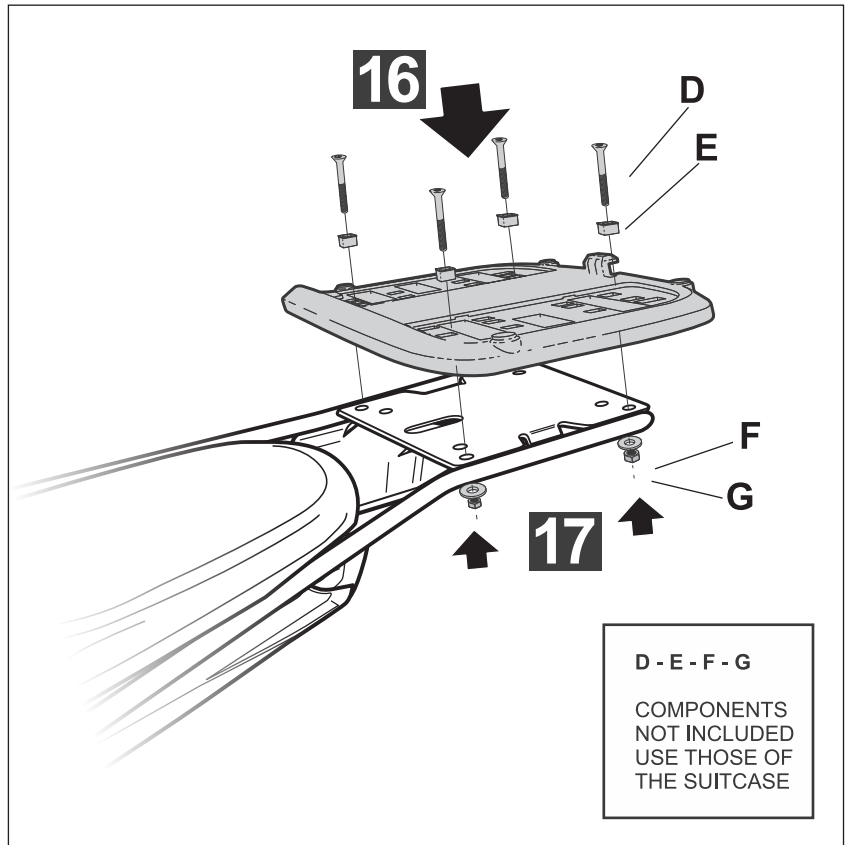
D1B29PA



D1B40PA



D1B591PA



D - E - F - G
COMPONENTS
NOT INCLUDED
USE THOSE OF
THE SUITCASE