



Kraftfahrt-Bundesamt

DE-24932 Flensburg



MITTEILUNG

Ausgestellt von:

Kraftfahrt-Bundesamt

über die Genehmigung
für einen Schutzhelmtyp mit Visiertyp(en) nach der Regelung Nr. 22

COMMUNICATION

Issued by:

Kraftfahrt-Bundesamt

concerning approval granted
of a type of protective helmet with visor type(s) pursuant to Regulation
No. 22

Nummer der Genehmigung: **05300521**
Approval No.:

Erweiterung Nr.: --
Extension No.:

1. Fabrik- oder Handelsmarke:
Trade name or mark:
YS
2. Typ:
Type:
OF809
3. Größen:
Sizes:
XS(53/54), S(55/56), M(57/58), L(59/60), XL(61)
4. Name des Herstellers:
Manufacturer's name:
YANGJIANG BAOGANGTANG TRADE INDUSTRY CO., LTD.
CN-529533 Gaoxin District, Yangjiang, Guangdong Province
5. Anschrift:
Address:
(s. 4.)



Kraftfahrt-Bundesamt

DE-24932 Flensburg

2

Nummer der Genehmigung: 05300521

Approval No.:

6. Gegebenenfalls Name des Vertreters des Herstellers:
If applicable, name of manufacturer's representative:
entfällt
not applicable
7. Anschrift:
Address:
(s. 6.)
8. Kurze Beschreibung des Helms:
Brief description of helmet:
siehe Anlagen
see enclosures
9. Helm ohne Kinnbügel **(J)**
Helmet without lower face cover **(J)**
10. Visiertyp oder Visiertypen:
Type of visor or visors:
YS-04 / E1 22R 05300482
YS-02 / E1 22R 05300484
11. Kurze Beschreibung des Visiers oder der Visiere:
Brief description of visor or visors:
siehe Anlagen
see enclosures
12. Zur Genehmigung vorlegt am:
Submitted for approval on:
21.10.2015
13. Technischer Dienst, der die Prüfungen für die Genehmigungen durchführt:
Technical service responsible for conducting approval tests:
SGS-TÜV Saar GmbH
DE-81379 München
14. Datum des Gutachtens des Technischen Dienstes:
Date of report issued by that service:
21.10.2015
15. Nummer des Gutachtens des Technischen Dienstes:
Number of report issued by that service:
SHHOM151000336-00




Kraftfahrt-Bundesamt

DE-24932 Flensburg

3

Nummer der Genehmigung: 05300521
Approval No.:

16. Bemerkungen:
Comments:
entfällt
not applicable
17. Die Genehmigung wird **erteilt**
Approval **granted**
18. Ort: **DE-24932 Flensburg**
Place:
19. Datum: **11.11.2015**
Date:
20. Unterschrift: **Im Auftrag**
Signature:


(D. Stieglitz)





Kraftfahrt-Bundesamt

DE-24932 Flensburg

4

Nummer der Genehmigung: 05300521

Approval No.:

21. Folgende mit der oben erwähnten Genehmigungsnummer versehene Dokumente sind auf Anforderung erhältlich.
The following documents, bearing the approval number shown above, are available on request:

Nebenbestimmungen und Rechtsbehelfsbelehrung
Collateral clauses and instruction on right to appeal

1 Prüfbericht mit Anlagen
1 Test report with appendices

1 Beschreibungsmappe R22-OF809-00 (11 Blatt)
1 Information folder R22-OF809-00 (11 sheets)



Kraftfahrt-Bundesamt

DE-24932 Flensburg

Nr. der Genehmigung: 05300521

Approval No.:

- Anlage -

Nebenbestimmungen und Rechtsbehelfsbelehrung

Nebenbestimmungen

Jede Einrichtung, die dem genehmigten Typ entspricht, ist gemäß der angewendeten Vorschrift zu kennzeichnen.

Das Genehmigungszeichen lautet wie folgt:



05300521/J -

Die Einzelerzeugnisse der reihenweisen Fertigung müssen mit den Genehmigungsunterlagen genau übereinstimmen. Änderungen an den Einzelerzeugnissen sind nur mit ausdrücklicher Zustimmung des Kraftfahrt-Bundesamtes gestattet.

Änderungen der Firmenbezeichnung, der Anschrift und der Fertigungsstätten sowie eines bei der Erteilung der Genehmigung benannten Zustellungsbevollmächtigten oder bevollmächtigten Vertreters sind dem Kraftfahrt-Bundesamt unverzüglich mitzuteilen.

Verstöße gegen diese Bestimmungen können zum Widerruf der Genehmigung führen und können überdies strafrechtlich verfolgt werden.

Die Genehmigung erlischt, wenn sie zurückgegeben oder entzogen wird, oder der genehmigte Typ den Rechtsvorschriften nicht mehr entspricht. Der Widerruf kann ausgesprochen werden, wenn die für die Erteilung und den Bestand der Genehmigung geforderten Voraussetzungen nicht mehr bestehen, wenn der Genehmigungsinhaber gegen die mit der Genehmigung verbundenen Pflichten – auch soweit sie sich aus den zu dieser Genehmigung zugeordneten besonderen Auflagen ergeben - verstößt oder wenn sich herausstellt, dass der genehmigte Typ den Erfordernissen der Verkehrssicherheit oder des Umweltschutzes nicht entspricht.

Das Kraftfahrt-Bundesamt kann jederzeit die ordnungsgemäße Ausübung der durch diese Genehmigung verliehenen Befugnisse, insbesondere die genehmigungsgerechte Fertigung sowie die Maßnahmen zur Übereinstimmung der Produktion, nachprüfen. Es kann zu diesem Zweck Proben entnehmen oder entnehmen lassen. Dem Kraftfahrt-Bundesamt und/oder seinen Beauftragten ist ungehinderter Zutritt zu Produktions- und Lagerstätten zu gewähren.

Die mit der Erteilung der Genehmigung verliehenen Befugnisse sind nicht übertragbar. Schutzrechte Dritter werden durch diese Genehmigung nicht berührt.



Kraftfahrt-Bundesamt

DE-24932 Flensburg

2

Nummer der Genehmigung: 05300521

Approval No.:

Rechtsbehelfsbelehrung

Gegen diese Genehmigung kann innerhalb eines Monats nach Bekanntgabe Widerspruch erhoben werden. Der Widerspruch ist beim **Kraftfahrt-Bundesamt, Fördestraße 16, DE-24944 Flensburg**, schriftlich oder zur Niederschrift einzulegen.

- Attachment -

Collateral clauses and instruction on right to appeal

Collateral clauses

All equipment which corresponds to the approved type is to be identified according to the applied regulation.

The approval identification is as follows: - see German version -

The individual production of serial fabrication must be in exact accordance with the approval documents. Changes in the individual production are only allowed with express consent of the Kraftfahrt-Bundesamt.

Changes in the name of the company, the address and the manufacturing plant as well as one of the parties given the authority to delivery or authorised representative named when the approval was granted is to be immediately disclosed to the Kraftfahrt-Bundesamt.

Breach of this regulation can lead to recall of the approval and moreover can be legally prosecuted.

The approval expires if it is returned or withdrawn or if the type approved no longer complies with the legal requirements. The revocation can be made if the demanded requirements for issuance and the continuance of the approval no longer exist, if the holder of the approval violates the duties involved in the approval, also to the extent that they result from the assigned conditions to this approval, or if it is determined that the approved type does not comply with the requirements of traffic safety or environmental protection.

The Kraftfahrt-Bundesamt may check the proper exercise of the conferred authority taken from this approval at any time. In particular this means the compliant production as well as the measures for conformity of production. For this purpose samples can be taken or have taken. The employees or the representatives of the Kraftfahrt-Bundesamt may get unhindered access to the production and storage facilities.

The conferred authority contained with issuance of this approval is not transferable. Trade mark rights of third parties are not affected with this approval.

Instruction on right to appeal

This approval can be appealed within one month after notification. The appeal is to be filed in writing or as a transcript at the **Kraftfahrt-Bundesamt, Fördestraße 16, DE-24944 Flensburg**.

Technical Report

Test standard:
ECE Regulation No. 22

Level of amendment:
Supplement 2 to the 05 series of amendments

Name of test standard
Protective helmets and their visors

Manufacturer:
YANGJIANG BAOGANGTANG TRADE AND INDUSTRY CO.,LTD.

Type:
OF809

Subject of testing:
Component

0 General:

0.1	Make (trade name of manufacturer):	YS
0.2	Type:	OF809
0.2.1	Commercial description(s):	n.a.
0.3	Means of identification of type, if marked on the vehicle / component / technical unit:	n.a.
0.3.1	Location of that markings:	n.a.
0.4	Category of vehicle:	n.a.
0.5	Manufacturer's name and address:	YangJiang Baogangtang Trade And Industry Co., Ltd. Technology 7 th Rd, Zhanggang Rd Junction, Fugang Industrial Park, Gaoxin District, Yangjiang, Guangdong Province, China
0.8	Address of assembly plant:	YangJiang Baogangtang Trade And Industry Co., Ltd. Technology 7 th Rd, Zhanggang Rd Junction, Fugang Industrial Park, Gaoxin District, Yangjiang, Guangdong Province, China
0.9	Name and address of representative:	n.a.
	Location of the approval mark:	refer to information document

1 **Test record:**

See appendix

2 **Attachments:**

2.1 List of modifications

2.2 Information folder

No.: R22-OF809-00

Date of issue: 23.08.2015

3 Statement of conformity:

The information folder as mentioned under no. 2.2 and the type described therein are in compliance with the test standard mentioned above.

With regard to the required level of performance to be achieved, the test specimen were representative for the type to be approved.

The tests were carried out in accordance to the relevant requirements of the

EN ISO/IEC 17025:2005 EN ISO/IEC 17020:2012

**Test Laboratory
SGS-TÜV Saar GmbH**

notified by Kraftfahrt-Bundesamt, Federal Republic of Germany

KBA - P 00084 - 10

appointed by National Standards Authority of Ireland

Technical Service No. 101

Responsible expert

Conformity check by

Lell Wu

Rose Han

Shanghai, 21.10.2015

This Technical Report shall be reproduced and published in full only and by the client only. It shall be reproduced partially with the written permission of the Test Laboratory only.

This document is issued by the Company under its General Conditions of Service accessible at <http://www.sgs-tuev-saar.com/en/broschueren/AGB-SGS-TUEV-EN.pdf>. Attention is drawn to the limitation of liability, indemnification and jurisdiction issues defined therein. Any holder of this document is advised that information contained hereon reflects the Company's findings at the time of its intervention only and within the limits of Client's instructions, if any. The Company's sole responsibility is to its Client and this document does not exonerate parties to a transaction from exercising all their rights and obligations under the transaction documents. Any unauthorized alteration, forgery or falsification of the content or appearance of this document is unlawful and offenders may be prosecuted to the fullest extent of the law.

Test record

1 Test object and measuring equipment

1.1 Test object

- Protective helmet (without visor)
- Protective helmet (with visor)
- Visor

1.1.1 Protective Helmet

n.a.

Type:

OF809

Sizes:

XS(53/54), S(55/56), M(57/58), L(59/60), XL(61)

Lower face cover:

- Without lower face cover (J)
- Protective (P)
- Non protective (NP)

1.1.2 Helmet visor

Visor type: YS-04
Refer to approval no.: E1 22R 05300482

Visor type: YS-02
Refer to approval no.: E1 22R 05300484

1.1.3 Sun shade

The helmet is equipped with a swivel-mounted sun shade, which may only be used in combination with the visor in closed position according to the user manual

- On the inner side of the visor
- On the outer side of the visor
- Not applicable

1.1.4 Remarks:

n.a.

1.2 Equipments for measuring and testing:

1.2.1 Test equipment:

The equipment and the test facilities on which the tests were carried out fulfilled the requirements of the ECE Regulation 22.05

1.2.2 Measurement procedure:

according to ECE Regulation No. 22.05

2 Test Results

2.1 Protective helmet

n.a.

2.1.1 Marking (clause 4.1.1, 4.4)

All required information, in accordance with the ECE R22.05, is given by the labels

fulfilled
 Not fulfilled
 n.a.

2.1.2 Basic construction (clause 6.1)

Shell + Protective padding + Retention system

fulfilled
 Not fulfilled
 n.a.

2.1.3 If fitted with non protective lower face cover (clause 6.2)

Marked
 "Does not protect chin from impacts"
 Marked
 with symbol



n.a.

2.1.4 Extent of the protection (clauses 6.4, 6.5)

The shell and the protective padding cover all areas as required

fulfilled
 Not fulfilled
 n.a.

- 2.1.5 Projections / irregularities / sharp edges (clauses 6.6 to 6.9) All external projections other than press-fasteners are smooth and adequately faired, all external projections which are not more than 2 mm above the outer surface of the shell, have a radius of more than 1 mm, all external projections which are more than 2 mm above the outer surface of the shell have a radius of more than 2 mm.
- All projections or irregularities in the outer surface of the shell which are higher than 2 mm, fulfill the requirements after the shear assessment test. The outer surface of the helmet fulfills the requirements after the friction assessment test.
- There are no inward-facing sharp edges on the inside of the helmet; rigid, projecting internal parts are covered with padding so that any stresses transmitted to the head are not highly concentrated.
- fulfilled
 Not fulfilled
 n.a.
-
- 2.1.6 Test method for projections and surface friction Procedure A (7.4.1)
 Procedure B (7.4.2)

Helmet No.	Helmet Size (cm)	Condition	Projections	Friction
M-3	57/58	Solvent plus ambient temperature and hygrometry conditioning	Pass	Pass

2.1.7 Peripheral vision (clause 6.14)

Horizontal ($\geq 105^\circ$):

x	fulfilled
	Not fulfilled
	n.a.

Upwards ($\geq 7^\circ$):

x	fulfilled
	Not fulfilled
	n.a.

Downwards ($\geq 45^\circ$):

x	fulfilled
	Not fulfilled
	n.a.

2.1.8 Conspicuity marking
(clause 6.16)

	fulfilled
	Not fulfilled
x	n.a.

2.1.9 Impact-absorption tests
 (clause 7.3)

x	fulfilled
	Not fulfilled
	n.a.

Size: 61 cm

Test Head Form: M (60 cm)

Helmet No.	Condition	Test anvil	Test site	Velocity (m/s)	Peak 'G ≤275g	HIC ≤2400
XL-1	Solvent plus ambient temperature and hygrometry conditioning	Kerbstone	B	7.54	229.0	1462
		Kerbstone	X	7.56	233.3	1392
		Flat	P	7.57	218.6	2188
		Flat	R	7.53	217.9	1934
XL-2	Solvent plus ambient temperature and hygrometry conditioning	Flat	B	7.62	209.8	1709
		Flat	X	7.60	201.1	1410
		Kerbstone	P	7.60	200.8	1290
		Kerbstone	R	7.54	221.3	1329
XL-3	Solvent plus heat conditioning	Kerbstone	B	7.58	269.3	1592
		Kerbstone	X	7.56	261.7	1402
		Kerbstone	P	7.60	195.5	1273
		Kerbstone	R	7.57	212.0	1364
XL-4	Solvent plus low temperature conditioning	Flat	B	7.53	218.1	1690
		Flat	X	7.55	197.9	1401
		Flat	P	7.53	222.9	2196
		Flat	R	7.53	217.1	1964
XL-5	Solvent plus ultra-violet radiation conditioning and moisture conditioning	Kerbstone	B	7.54	199.3	1600
		Flat	X	7.55	203.5	1111
		Flat	P	7.57	162.1	1109
		Kerbstone	R	7.55	215.6	1836

Size: 53/54 cm

Test Head Form: E (54 cm)

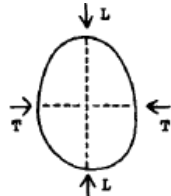
Helmet No.	Condition	Test anvil	Test site	Velocity (m/s)	Peak 'G ≤ 275g	HIC ≤ 2400
XS-1	Solvent plus heat conditioning	Kerbstone	B	7.59	186.5	1434
		Kerbstone	X	7.57	243.4	1505
		Kerbstone	P	7.55	170.7	1054
		Kerbstone	R	7.59	161.3	1253
XS-2	Solvent plus low temperature conditioning	Flat	B	7.54	240.8	2018
		Flat	X	7.58	189.8	1183
		Flat	P	7.60	202.8	1816
		Flat	R	7.52	227.2	2129

Size: 57/58 cm

Test Head Form: J (57 cm)

Helmet No.	Condition	Test anvil	Test site	Velocity (m/s)	Peak 'G ≤ 275g	HIC ≤ 2400
M-1	Solvent plus heat conditioning	Kerbstone	B	7.56	244.6	1489
		Kerbstone	X	7.55	220.8	1384
		Kerbstone	P	7.55	154.4	1203
		Kerbstone	R	7.57	180.0	1337
M-2	Solvent plus low temperature conditioning	Flat	B	7.61	248.5	1972
		Flat	X	7.59	235.4	1623
		Flat	P	7.57	188.2	1729
		Flat	R	7.57	233.0	1895

2.1.10 Rigidity test (clause 7.5)



- fulfilled
- Not fulfilled
- n.a.

Helmet No.	Size	Condition	Direction	Max. deformation (≤ 40 mm)	Residual deformation (≤ 15 mm)
XL-6	61	Solvent plus ambient temperature and hygrometry conditioning	Longitudinal axis	14.9	3.5
XL-7	61	Solvent plus ambient temperature and hygrometry conditioning	Transverse axis	13.6	3.2

2.2 Retention system

2.2.1 The retention system is protected from abrasion

- fulfilled
- Not fulfilled
- n.a.

2.2.2 Chin strap (clause 6.11.1, 6.11.2)

The width of the chin strap is more than 20 mm under load of 150 N and it doesn't include a chin-cup.

- fulfilled
- Not fulfilled
- n.a.

2.2.3 Adjustment device (clause 6.11.3) The retention system includes a device to adjust and maintain tension.

fulfilled
 Not fulfilled
 n.a.

2.2.4 Fastening devices (clauses 6.11.4 to 6.11.9) The requirements for fastening devices and release mechanisms are in accordance to the requirements of the test standard.

fulfilled
 Not fulfilled
 n.a.

2.2.5 Retention system dynamic test (clause 7.6) fulfilled
 Not fulfilled
 n.a.

Helmet No.	Helmet Size (cm)	Condition	Dynamic displacement (≤ 35 mm)	Residual displacement (≤ 25 mm)
XS-3	53/54	Solvent plus ambient temperature and hygrometry conditioning	27.5	12.1

2.2.6 Retention (detaching) test (clause 7.7) fulfilled
 Not fulfilled
 n.a.

Helmet No.	Helmet Size (cm)	Condition	Movement of the reference line (≤ 30°)
XS-3 With type 1 retention system	53/54	Solvent plus ambient temperature and hygrometry conditioning	24

2.2.7	Micro-slip test of the chin strap (clause 7.9)	<input checked="" type="checkbox"/> fulfilled <input type="checkbox"/> Not fulfilled <input type="checkbox"/> n.a.
	Slippage of chin strap: (≤ 10 mm):	<u><5</u> mm
2.2.8	Chin strap, resistance to abrasion test (clause 7.10)	<input checked="" type="checkbox"/> fulfilled <input type="checkbox"/> Not fulfilled <input type="checkbox"/> n.a.
2.2.8.1	Chin strap, withstand a tension of 3 kN (clause 7.10.5)	<input checked="" type="checkbox"/> fulfilled <input type="checkbox"/> Not fulfilled <input type="checkbox"/> n.a.
2.2.9	Retention systems relying on quick-release mechanisms (clause 7.11)	
2.2.9.1	Inadvertent release by pressure (clause 7.11.1)	<input type="checkbox"/> fulfilled <input type="checkbox"/> Not fulfilled <input checked="" type="checkbox"/> n.a.
2.2.9.2	Ease of release (clause 7.11.2)	<input checked="" type="checkbox"/> fulfilled <input type="checkbox"/> Not fulfilled <input type="checkbox"/> n.a.
2.2.9.3	Durability of quick-release mechanisms (clause 7.11.3)	<input checked="" type="checkbox"/> fulfilled <input type="checkbox"/> Not fulfilled <input type="checkbox"/> n.a.
2.3	Visor	<input type="checkbox"/> n.a. (no visor) <input checked="" type="checkbox"/> n.a. (visor separately approved)

Visor type: YS-04
 Refer to approval no.: E1 22R 05300482

Visor type: YS-02
 Refer to approval no.: E1 22R 05300484

2.4 Information for wearers

(clauses 14.1 to 14.6)

2.4.1 Every protective helmet placed on the market shall bear a clearly visible label with the following inscription in the national language, or at least one of the national languages, of the country of destination:

"For adequate protection, this helmet must fit closely and be securely attached. Any helmet that has sustained a violent impact should be replaced"

x	fulfilled
	Not fulfilled
	n.a.

and, if fitted with a non protective lower face cover:

"Does not protect chin from impacts"

	fulfilled
	Not fulfilled
x	n.a.

together with the symbol indicating the unsuitability of the lower face cover to offer any protection against impacts to the chin

2.4.2 and, if hydrocarbons, cleaning fluids, paints, transfers or other extraneous additions affect the shell material adversely

x	fulfilled
	Not fulfilled
	n.a.

"Warning' - Do not apply paint, stickers, petrol or other solvents to this helmet"

2.4.3 Every protective helmet shall be clearly marked with its size and its maximum weight, to the nearest 50 grammes, as placed on the market. The maximum weight quoted should include all the accessories that are supplied with the helmets, within the packaging, as it is placed on the market, whether or not those accessories have actually been fitted to the helmet.

x	fulfilled
	Not fulfilled
	n.a.

2.4.4 Every protective helmet offered for sale shall bear a label showing the type or types of visor that have been approved at the manufacturer's request.

x	fulfilled
	Not fulfilled
	n.a.

- | | | |
|---------|--|--|
| 2.4.5 | Every visor offered for sale shall bear a label showing the types of protective helmet for which it has been approved | <input checked="" type="checkbox"/> fulfilled
<input type="checkbox"/> Not fulfilled
<input type="checkbox"/> n.a. |
| 2.4.6 | Every visor placed on the market with a protective helmet shall be accompanied by information in the national language, or in at least one of the national languages, of the country of destination. This information shall contain: | |
| 2.4.6.1 | General Instruction for Storage and Care | <input checked="" type="checkbox"/> fulfilled
<input type="checkbox"/> Not fulfilled
<input type="checkbox"/> n.a. |
| 2.4.6.2 | Specific instructions for cleaning and their notice of use. These instructions shall include a warning regarding the dangers of using unsuitable agents for cleaning (such as solvents), especially if abrasion resistant coatings are to be preserved. | <input checked="" type="checkbox"/> fulfilled
<input type="checkbox"/> Not fulfilled
<input type="checkbox"/> n.a. |
| 2.4.6.3 | Advice as to the suitability of the visor for use in conditions of poor visibility and during the hours of darkness. The following warning shall be included:
Visors with the marking indicating "day-time use only" are not suitable for use during the hours of darkness or in conditions of poor visibility. | <input checked="" type="checkbox"/> fulfilled
<input type="checkbox"/> Not fulfilled
<input type="checkbox"/> n.a. |
| 2.4.6.4 | If appropriate, the following warning shall also be included
The fastening of this visor is such that it will not be possible to remove it instantly from the line of sight with one hand should an emergency (such as headlamp glare or misting) occur. | <input checked="" type="checkbox"/> fulfilled
<input type="checkbox"/> Not fulfilled
<input type="checkbox"/> n.a. |

2.4.6.5	If the visor is MIST RETARDANT approved it may be indicated	<input type="checkbox"/> fulfilled <input type="checkbox"/> Not fulfilled <input checked="" type="checkbox"/> n.a.
---------	---	--

2.4.6.6	Instructions regarding the detention of obsolescence	<input checked="" type="checkbox"/> fulfilled <input type="checkbox"/> Not fulfilled <input type="checkbox"/> n.a.
---------	--	--

3 Other information

Place of testing: SGS CSTC Guangzhou, P.R. China

Date of testing: 14.10.2015

4 Remarks: ---



List of modifications

1	Correction of	n.a.
2	Modification of	n.a.
3	Addition of	n.a.
4	Deletion of	n.a.

INFORMATION DOCUMENT

No.: R22-OF809-00



YANGJIANG BAOGANGTANG TRADE AND INDUSTRY CO., LTD.

TYPE: OF809

Protective helmet with visor
pursuant to

Regulation No. 22

UNIFORM PROVISIONS CONCERNING THE APPROVAL OF
PROTECTIVE HELMETS AND THEIR VISORS FOR DRIVERS AND
PASSENGERS OF MOTORCYCLES AND MOPEDS

Signature of a responsible person:



Date: 23.08.2015



Type : OF809
 Manufacture : YANGJIANG BAOGANGTANG TRADE AND INDUSTRY CO., LTD.

Date:23.08.2015

Page 2 of 11

0 GENERAL INFORMATION

- 0.1 Make (trade name of manufacturer) : YS
- 0.2 Type : OF809
- 0.2.1 Commercial description : n.a.
- 0.3 Variants / Versions : n.a.
- 0.4 Name and address of manufacturer : YANGJIANG BAOGANGTANG TRADE AND INDUSTRY CO., LTD.
Technology 7th Rd, Zhangang Rd Junction, Fugang Industrial Park, Gaoxin District, Yangjiang, Guangdong Province, China
- 0.5 Name and address of assembly plant : YANGJIANG BAOGANGTANG TRADE AND INDUSTRY CO., LTD.
Technology 7th Rd, Zhangang Rd Junction, Fugang Industrial Park, Gaoxin District, Yangjiang, Guangdong Province, China
- 0.6 Name and address of manufacturer's authorized representative(if any) : n.a.
- 0.7 Location and method of affixing of the international approval mark : Marked in a label sewn on the retention system, see Annex 5

1 TECHNICAL DESCRIPTION

- 1.1 Description of the helmet
 - 1.1.1 Type of helmet : Open face
 - 1.1.2 Type of lower face cover : "J" none
 - 1.1.3 Size (cm) : XS(53/54), S(55/56), M(57/58), L(59/60), XL(61)
 - 1.1.4 Drawing of the helmet : See Annex 1
 - 1.1.5 Type(s) of visor to which may be equipped with this helmet : YS-04, YS-02
- 1.2 Description of the visor : Visor type: YS-04
Refer to approval no.: E1 22R 05300482

Visor type: YS-02
Refer to approval no.: E1 22R 05300484
- 1.3 Description of the shell
 - 1.3.1 Material : ABS
 - 1.3.2 Manufacture method : By Injection
 - 1.3.3 Ventilation : 4 (Top front 2, Rear 2)
 - 1.3.4 Composition of the border join on the shell : PVC
 - 1.3.5 Drawing of the shell : See Annex 2
- 1.4 Description of protective padding
 - 1.4.1 Composition : EPS
 - 1.4.2 Density and weight :

Size (cm)	Shell Size	Comfort padding thickness (Main +Top) (mm)	Protective padding density(Kg/m ³)	Protective padding thickness (mm)	Protective padding weight (grams)
XS(53/54)	S	16+14	45	32+26+40	124
S(55/56)	S	16+12	45	32+26+40	124
M(57/58)	L	16+14	55	31+31+35	133
L(59/60)	L	16+12	55	31+31+35	133
XL(61)	L	16+10	55	31+31+35	133

- 1.4.3 Drawing of the protective padding : See Annex 3



Type : OF809
 Manufacture : YANGJIANG BAOGANGTANG TRADE AND INDUSTRY CO., LTD.

Date:23.08.2015

Page 3 of 11

- 1.5 Description of comfort padding
- 1.5.1 Composition of Comfort padding : Compound sponge
- Comfort tissue : Compound cloth
- Protection of the back of the nape : Compound sponge
- Lateral packing : Compound sponge
- Lower face cover : n.a.
- 1.5.2 Drawing of the comfort padding : See Annex 4
- 1.6 Description of the retention system
- 1.6.1 Chin strap
- Material : Nylon
- Width : 21±1 mm
- 1.6.2 Retention system : Quick release mechanism
- 1.6.3 Comfort padding of the retention system
- Composition : Leather and Fabric
- Thickness : 2 mm
- 1.6.4 Anchorage system to the shell : By a metallic piece fitted to the internal part of the shell by a rivet
- 1.6.5 Drawing of the retention system : See Annex 5
- 1.7 Other Characteristics
- 1.7.1 Markings
- Make : Outer shell, different location depending on makers
- Weight : Rear part of the shell
- Size : Rear part of the shell
- 1.7.2 Indelible marking
- How it is made : Sewing
- Position : On the chin strap
- 1.8 Accessories
- 1.8.1 Peak : n.a.
- 1.8.2 Information for wearer
- 1.8.2.1 Text : See Annex 6
- 1.8.2.2 Position : Put inside the helmet

ANNEXES

Annex 1	Drawing of the helmet	15.06.2015
Annex 2	Drawing of the shell	15.06.2015
Annex 3	Drawing of the protective padding	15.06.2015
Annex 4	Drawing of the comfort padding	15.06.2015
Annex 5	Drawing of the retention system	15.06.2015
Annex 6	Information for wearer	15.06.2015

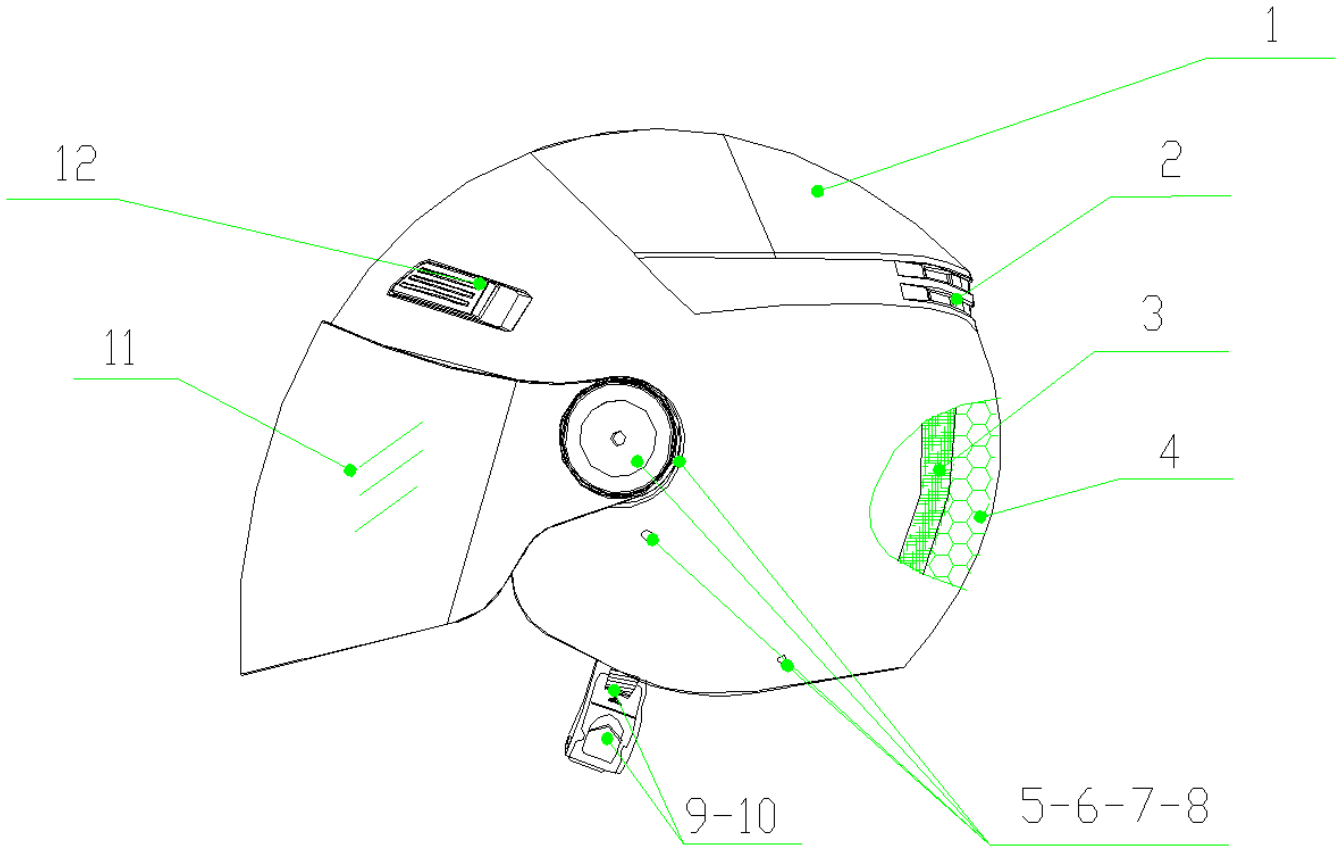


Type : OF809
 Manufacture : YANGJIANG BAOGANGTANG TRADE AND INDUSTRY CO., LTD.

Date:23.08.2015

Page 4 of 11

Annex 1: Drawing of the helmet



Number	Name	Material	Number	Name	Material
1	Shell	ABS	7	Lens cover	ABS
2	Back Upper vent	ABS	8	Lens block	PC
3	Comfort padding	Compound sponge + Cloth	9	Chinstrap Buckle	POM
4	Protective padding	EPS	10	Chin strap	Nylon
5	Rivet	Steel	11	Visor	PC
6	Rivet	Steel	12	Front Upper Vent	ABS
Description	OF809 helmet		Code No.:	OF809	
Manufacturer:	YANGJIANG BAOGANGTANG TRADE AND INDUSTRY CO., LTD.				
Address:	Technology 7th Rd, Zhangang Rd Junction, Fugang Industrial Park, Gaoxin District, Yangjiang, Guangdong Province, China				
Drawn by:	Jinghua Ye	Checked by:	Dapeng Yuan	Approved by:	Guodong Wen
Date:	23.08.2015	Date:	23.08.2015	Date:	23.08.2015

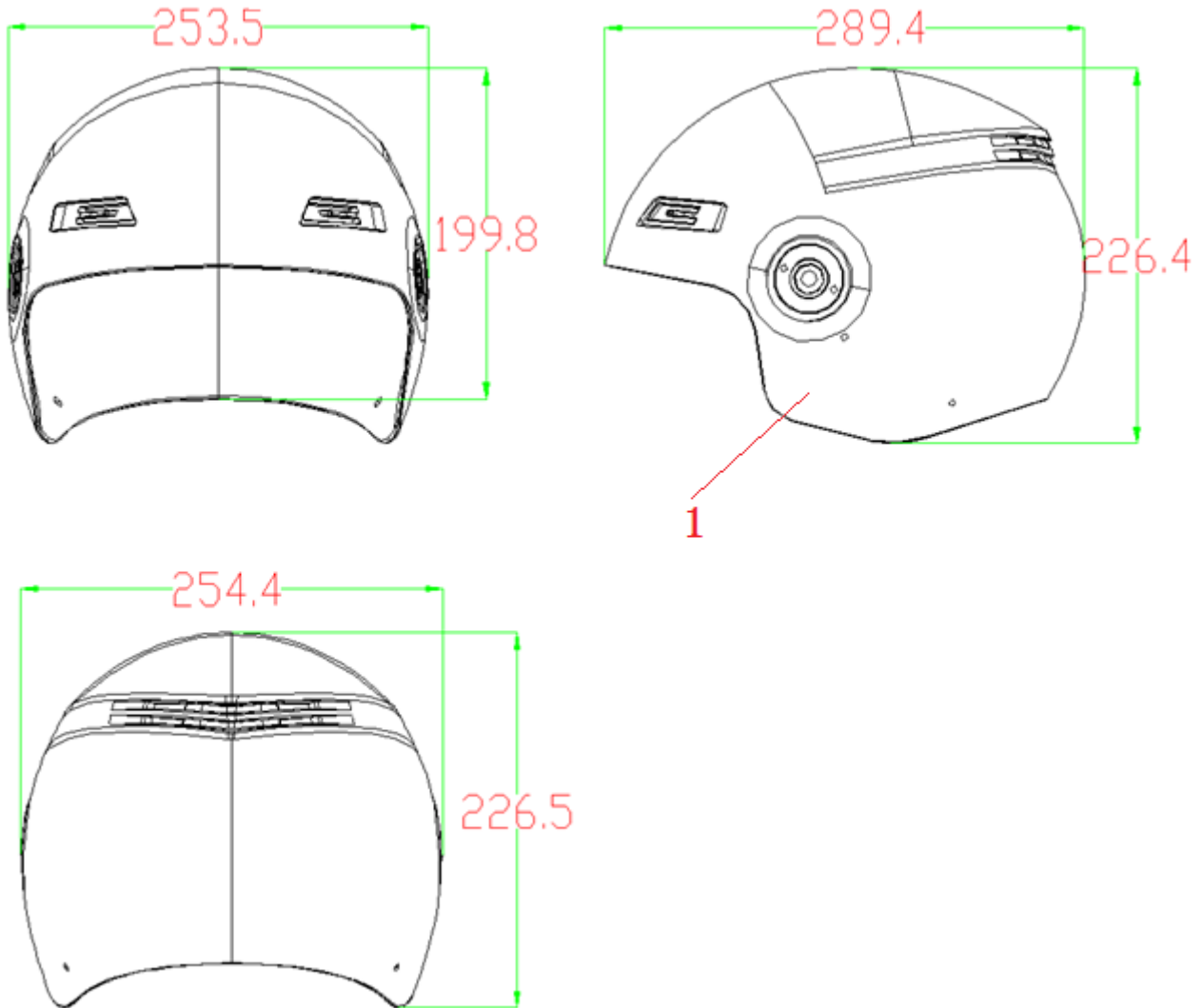


Type : OF809
 Manufacture : YANGJIANG BAOGANGTANG TRADE AND INDUSTRY CO., LTD.

Date:23.08.2015

Page 5 of 11

Annex 2: Drawing of the shell



Unit: mm

Number	Name	Material	Number	Name	Material
1	Shell	ABS			
Description	OF809 Large Shell		Code No.:	OF809.1.1	
Manufacturer:	YANGJIANG BAOGANGTANG TRADE AND INDUSTRY CO., LTD.				
Address:	Technology 7th Rd, Zhangang Rd Junction, Fugang Industrial Park, Gaoxin District, Yangjiang, Guangdong Province, China				
Drawn by:	Jinghua Ye	Checked by:	Dapeng Yuan	Approved by:	Guodong Wen
Date:	23.08.2015	Date:	23.08.2015	Date:	23.08.2015

INFORMATION DOCUMENT

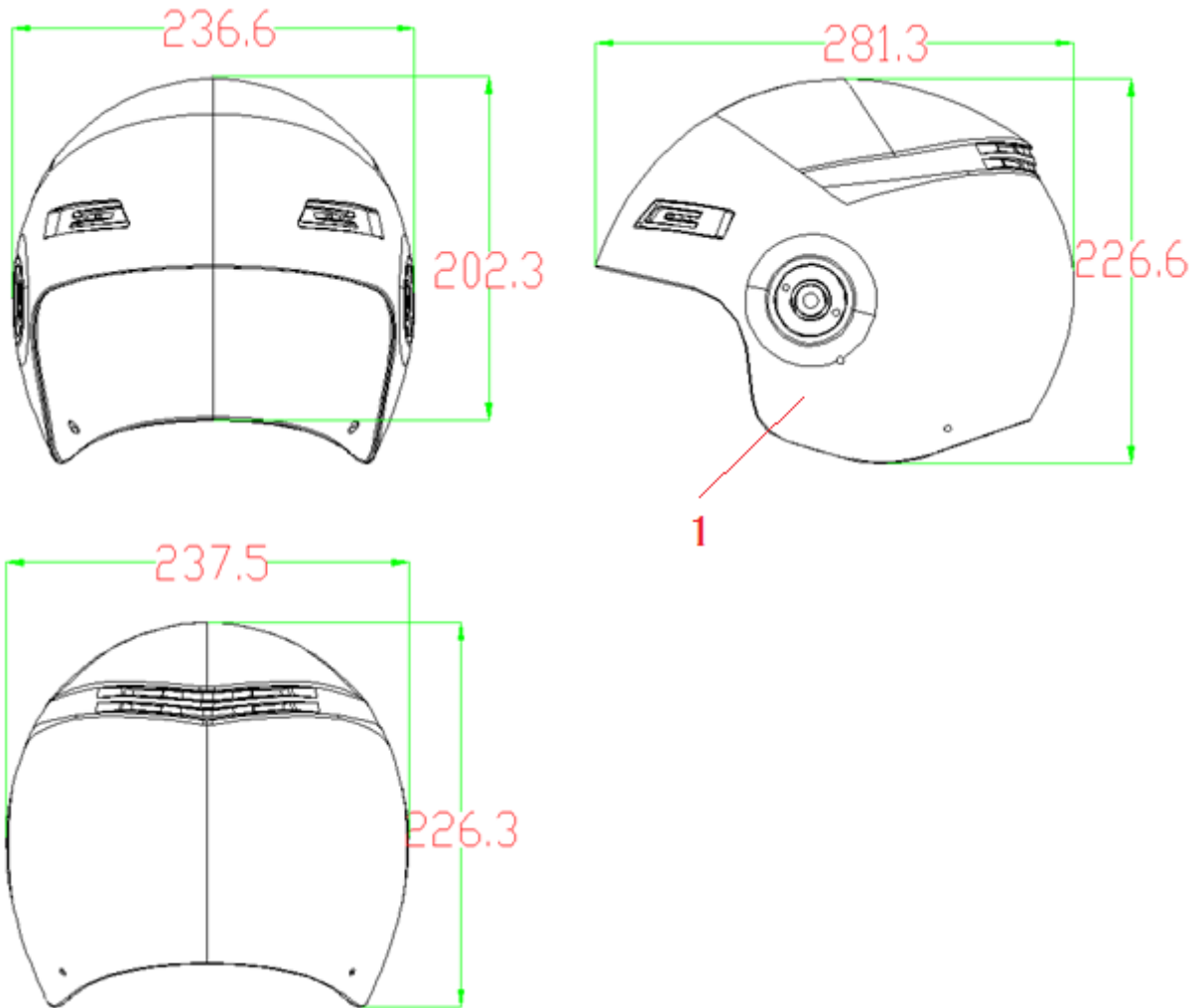
R22-OF809-00



Type : OF809
 Manufacture : YANGJIANG BAOGANGTANG TRADE AND INDUSTRY CO., LTD.

Date:23.08.2015

Page 6 of 11



Unit: mm

Number	Name	Parameter	Number	Name	Parameter
1	Shell	ABS			
Description	OF809 Small Shell		Code No.:	OF809.1.2	
Manufacturer:	YANGJIANG BAOGANGTANG TRADE AND INDUSTRY CO., LTD.				
Address:	Technology 7th Rd, Zhangang Rd Junction, Fugang Industrial Park, Gaoxin District, Yangjiang, Guangdong Province, China				
Drawn by:	Jinghua Ye	Checked by:	Dapeng Yuan	Approved by:	Guodong Wen
Date:	23.08.2015	Date:	23.08.2015	Date:	23.08.2015

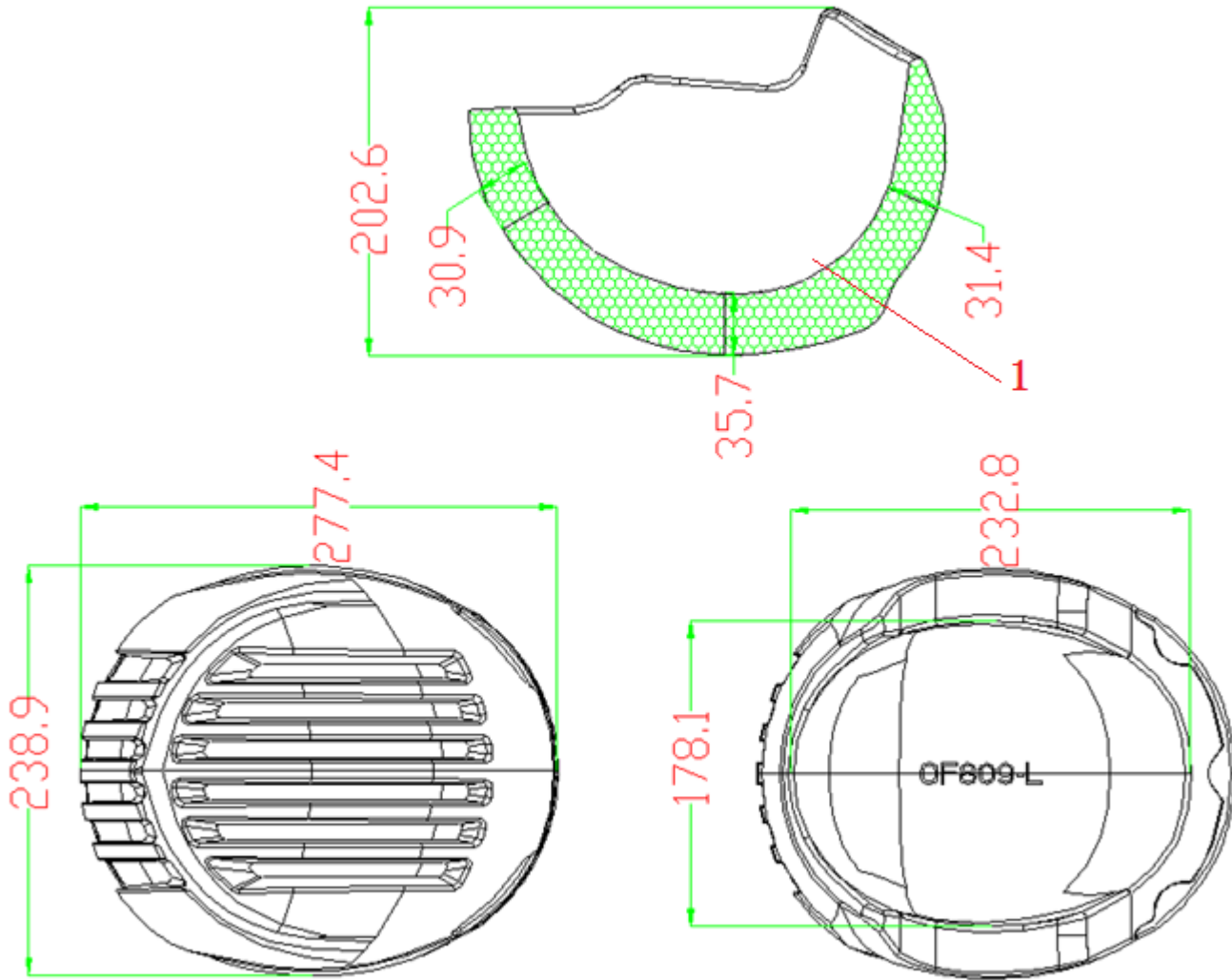


Type : OF809
 Manufacture : YANGJIANG BAOGANGTANG TRADE AND INDUSTRY CO., LTD.

Date:23.08.2015

Page 7 of 11

Annex 3: Drawing of the protective padding



Unit: mm

Number	Name	Material	Number	Name	Material
1	Protective padding	EPS			
Description	OF809 Large Protective padding		Code No.:	OF809.2.1	
Manufacturer:	YANGJIANG BAOGANGTANG TRADE AND INDUSTRY CO., LTD.				
Address:	Technology 7th Rd, Zhangang Rd Junction, Fugang Industrial Park, Gaoxin District, Yangjiang, Guangdong Province, China				
Drawn by:	Jinghua Ye	Checked by:	Dapeng Yuan	Approved by:	Guodong Wen
Date:	23.08.2015	Date:	23.08.2015	Date:	23.08.2015

INFORMATION DOCUMENT

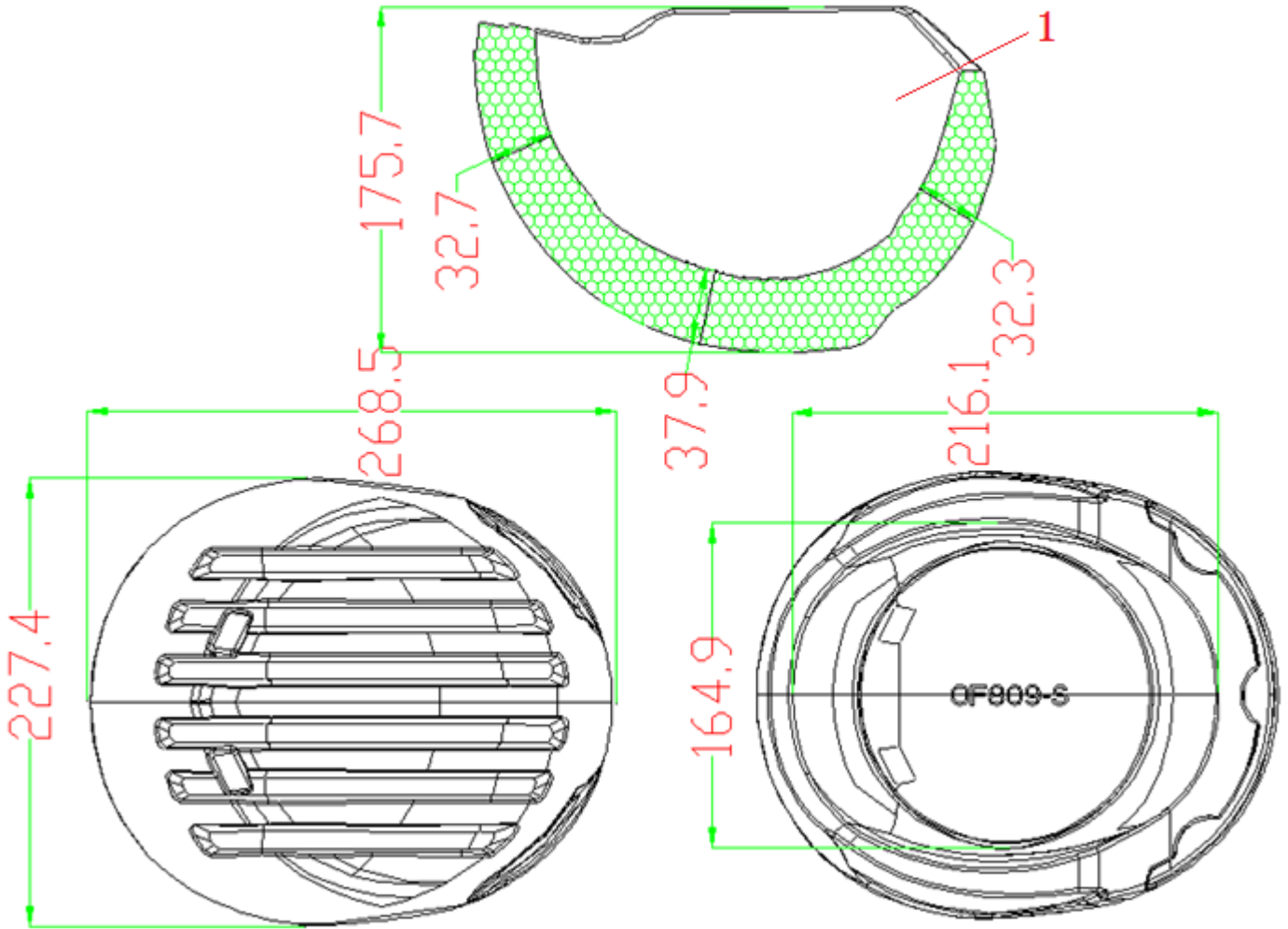
R22-OF809-00



Type : OF809
 Manufacture : YANGJIANG BAOGANGTANG TRADE AND INDUSTRY CO., LTD.

Date:23.08.2015

Page 8 of 11



Unit: mm

Number	Name	Parameter	Number	Name	Parameter
1	Protective padding	Expanded polystyrene			
Description	OF809 Small Protective padding		Code No.:	OF809.2.2	
Manufacturer:	YANGJIANG BAOGANGTANG TRADE AND INDUSTRY CO., LTD.				
Address:	Technology 7th Rd, Zhangang Rd Junction, Fugang Industrial Park, Gaoxin District, Yangjiang, Guangdong Province, China				
Drawn by:	Jinghua Ye	Checked by:	Dapeng Yuan	Approved by:	Guodong Wen
Date:	23.08.2015	Date:	23.08.2015	Date:	23.08.2015

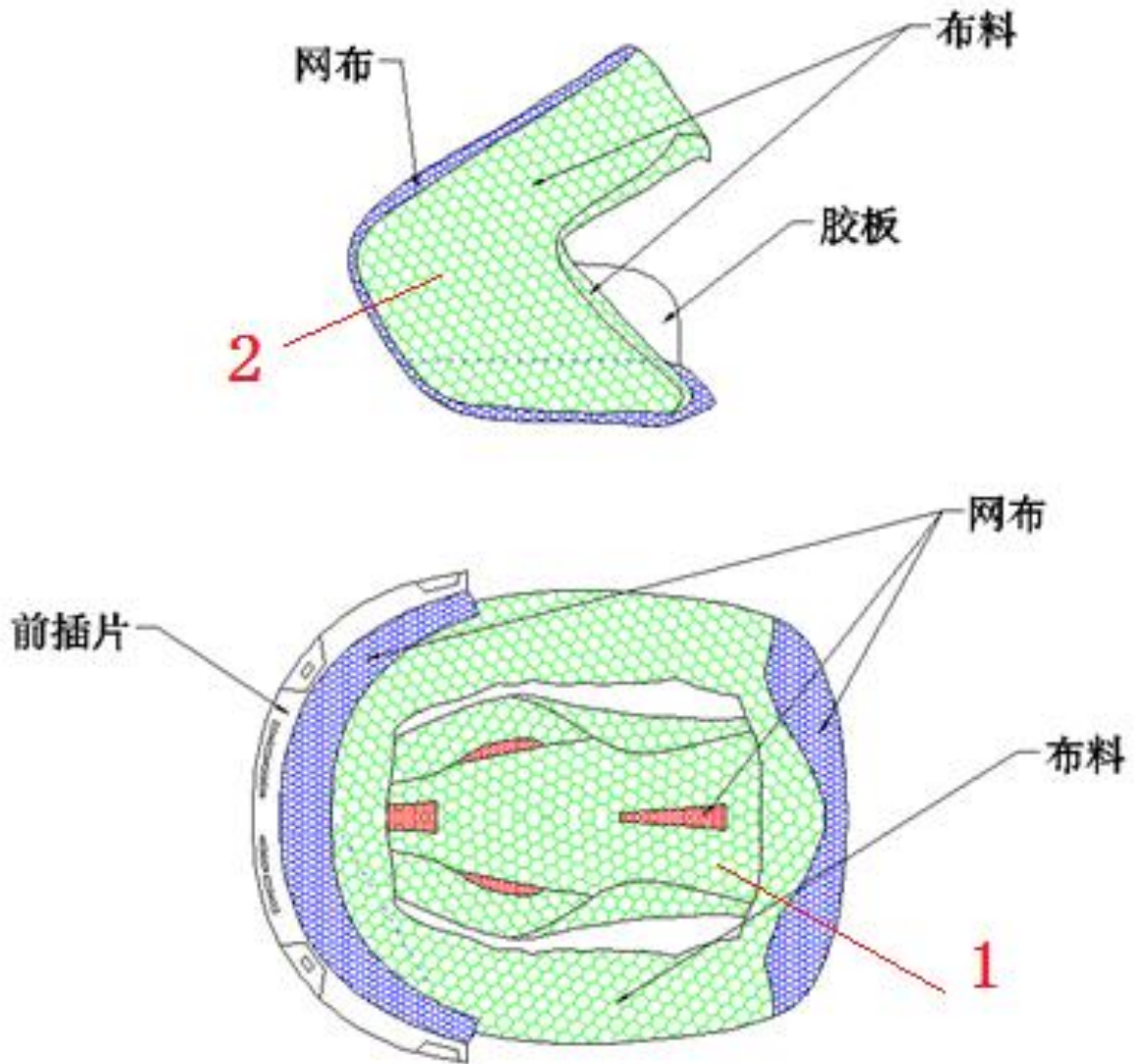


Type : OF809
 Manufacture : YANGJIANG BAOGANGTANG TRADE AND INDUSTRY CO., LTD.

Date:23.08.2015

Page 9 of 11

Annex 4: Drawing of the comfort padding



Number	Name	Material	Number	Name	Material
1	Comfort padding	Compound sponge + Cloth	2	Ear Comfort padding	Compound sponge + Cloth + PP
Description	OF809 Comfort padding		Code No.:	OF809.3	
Manufacturer:	YANGJIANG BAOGANGTANG TRADE AND INDUSTRY CO., LTD.				
Address:	Technology 7th Rd, Zhangang Rd Junction, Fugang Industrial Park, Gaoxin District, Yangjiang, Guangdong Province, China				
Drawn by:	Jinghua Ye	Checked by:	Dapeng Yuan	Approved by:	Guodong Wen
Date:	23.08.2015	Date:	23.08.2015	Date:	23.08.2015

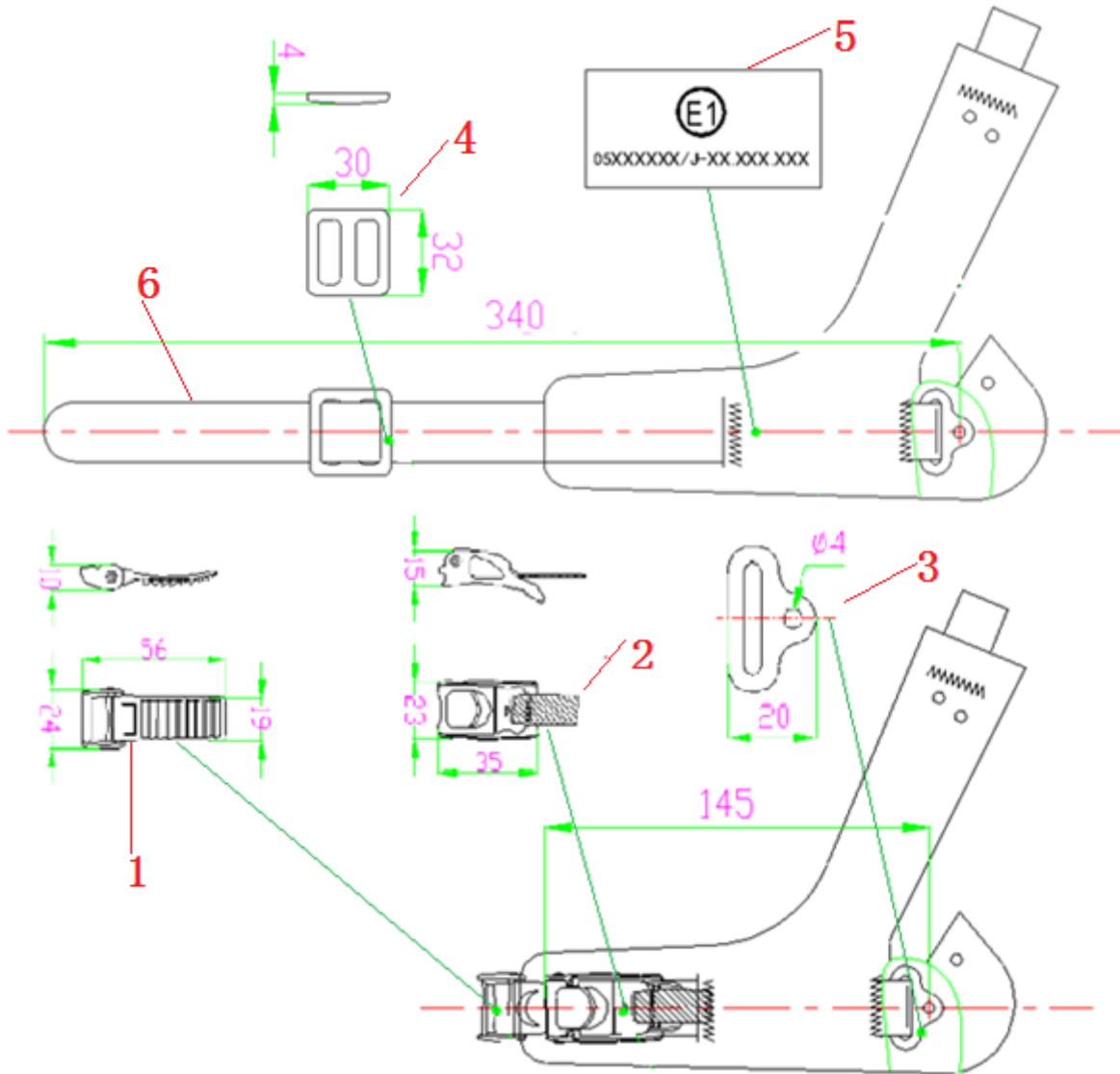


Type : OF809
 Manufacture : YANGJIANG BAOGANGTANG TRADE AND INDUSTRY CO., LTD.

Date:23.08.2015

Page 10 of 11

Annex 5: Drawing of the retention system



Unit: mm

Number	Name	Material	Number	Name	Material
1	Slider bar	POM + Steel	4	"B" Ring	Nylon
2	Release buckle	POM + Steel	5	ECE Marking	Cloth
3	Iron triangle	Iron	6	Chin strap	Nylon
Description	OF809 Retention system		Code No.:	OF809.4	
Manufacturer:	YANGJIANG BAOGANGTANG TRADE AND INDUSTRY CO., LTD.				
Address:	Technology 7th Rd, Zhangang Rd Junction, Fugang Industrial Park, Gaoxin District, Yangjiang, Guangdong Province, China				
Drawn by:	Jinghua Ye	Checked by:	Dapeng Yuan	Approved by:	Guodong Wen
Date:	23.08.2015	Date:	23.08.2015	Date:	23.08.2015



Type : OF809
Manufacture : YANGJIANG BAOGANGTANG TRADE AND INDUSTRY
CO., LTD.

Date:23.08.2015

Page 11 of 11

Annex 6: information for wearer

WARNING

No helmet can protect the user from all possible and foreseeable impacts.

1. For adequate protection, this helmet must fit closely and be securely attached. Any helmet that has sustained a violent impact should be replaced.
2. Visors (if fitted) with the marking indicating "daytime use only" are not suitable for use during the hours of darkness or in conditions of poor visibility. The fastening of visor is such that it may not be possible to remove it instantly from the line of sight with one hand should an emergency (such as headlamp glare or misting) occur.
3. To maintain the full efficiency of the helmet, any modification to the structure of the helmet or its parts is not allowed.
4. Do not apply paint, stickers, petrol or other solvents to this helmet. Hydrocarbons, cleaning fluids, paints, transfers or other extraneous additions will affect the shell material adversely.

Shell is made by injection method using acrylonitrile butadiene styrene and polycarbonate blending thermoplastic. Lining is made of expanded polystyrene.

Important: read helmet user's guide for additional information prior to using your new helmet.

WARNING

1. TO CLEAN THE VISOR USE HOUSEHOLD WINDOW CLEANER AND A LINT FREE TOWEL ONLY. CAUSTIC CHEMICALS OR SOLVENT MUST NOT BE USED.
2. BEFORE CLEANING VISOR, BE SURE TO BRUSH AWAY ANY LARGE PIECES OF DIRT.
3. VISORS OR SUN SHADE WITH THE MARKING "DAYTIME USE ONLY" ARE NOT SUITABLE FOR USE DURING THE HOURS OF DARKNESS OR IN CONDITIONS OF POOR VISIBILITY.
4. THE SUN SHADE SHALL ONLY BE USED IN COMBINATION WITH THE VISOR IN CLOSED POSITION TO ENSURE THE MECHANICAL PROTECTION OF THE EYES.